

WinchMaster

SPECIALIST WINCH SOLUTIONS

COMPLIANT WITH EN 14492-1 REGULATIONS



TYPICAL APPLICATIONS

**Light Duty Car Transporters, Plant Moving
Vehicles with GVW up to 3500kg, Spec-Lifts, 4x4's**

This low profile planetary winch has been developed for light industrial use. It incorporates a large electric motor, ensuring good service life.

NEW EUROPEAN STANDARDS & BHW GROUP

New Harmonised European Standards: EN14492-1 for power driven winches provide the means for conformity to essential Health and Safety requirements of the EC Machinery Directive.

Conformity to these standards is the joint responsibility of the supplier, the installer and the company operating the product.

CE BHW Group products are fully compliant and carry a CE mark. A Declaration of Conformity is also supplied with each winch.

Selecting the correct winch for the application is very important not only from the health and safety aspect, but also to maximise product life and value for money.

Our aim at BHW Group is to ensure the correct machine is supplied to suit the application and we welcome the opportunity of discussing the proposed application and offer advice. It will help us considerably if information regarding the maximum and average loads to be lifted or pulled - and approximate frequency of use can be provided.

For recovery vehicles the permissible standard of wire rope MBF** to winch rating can be a minimum 2:1 and the ratio of wire rope to mean drum diameter* only 10:1. This minimum standard is permitted because the running time is so short and the winch rarely sees maximum load. Whilst this standard is very reduced compared to lifting winches it imposes a much higher standard of safety than on many products currently being supplied and the new line pull ratings shown overleaf reflect this improved safety level.

Winches with capacities over 1000kg must be load limited.

* Mean drum diameter = the drum diameter plus the diameter of the wire rope.

** MBF = the Minimum Breaking Force of the wire rope.

BH DELTA 2250

12v or 24v DC

**Electric Recovery Winch
2250kg Line Pull**

BH DELTA 2250 KIT COMPRISES

Electric Winch, 4.5m heavy duty wanderlead with emergency stop, mounting plate, roller guides and galvanised wire rope with safety latch hook (maximum capacity 8mm x 23m).

Total kit weight 40kg.

FEATURES INCLUDE

- **2250kg line pull**
(22.07kN)
- **Powerful series wound, high torque motor options**
12v or 24v
- **3 stage planetary gearing**
Providing high mechanical efficiency
- **Braking action**
Automatic in the drum
- **Freespool clutch lever**
Easy to operate lever for disengaging drum
- **Power in / power out**
Fine control ensures load will not overrun
- **4 way roller guides and mounting plate**
- **Heavy duty 4.5m wanderlead control**
With emergency stop
- **Wire rope positively secured to drum**
Using keyhole slot engagement

ADDITIONAL EQUIPMENT FROM BHW GROUP

- **Electric Isolator Switch - Isolator must be installed**
- **Fuse and Fuse Holder - Must be installed close to battery**
- **Industrial Plug and Socket for auxiliary wanderlead connection - strongly recommended**
- **Snatch Block - standard or slider**
- **BHW FM-Connect radio control unit**
- **Wire rope pressure roller**

WINCHMASTER Unit 6 South Orbital Trading Park Hedon Road Hull HU9 1NJ

T: +44 (0)1482 223663 F: +44 (0)1482 218285

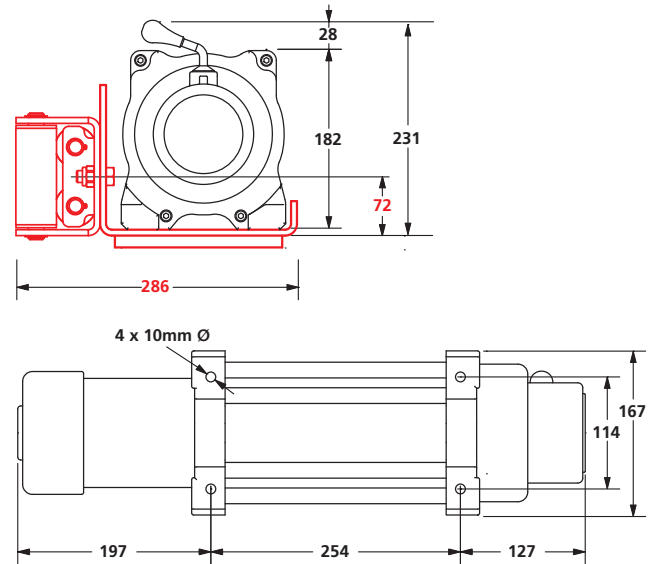
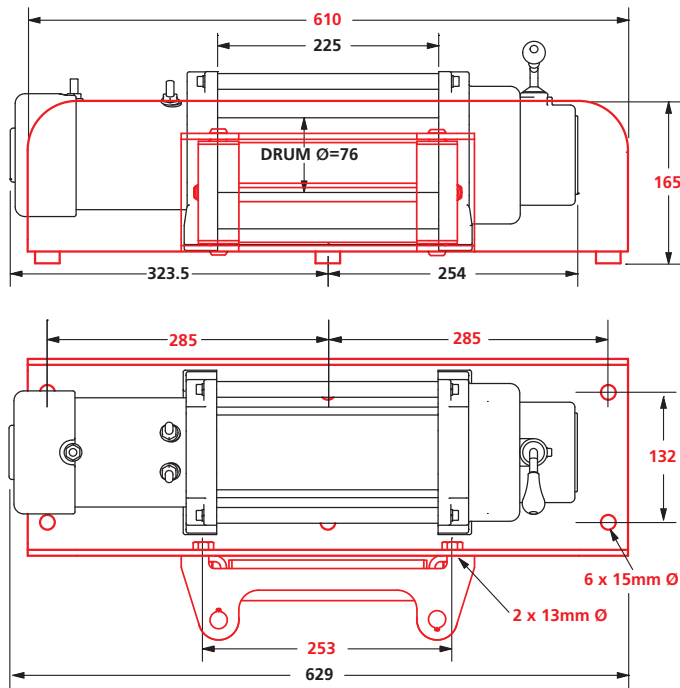
CALL SALES ON 01482 223663

E: sales@winchmaster.co.uk W: www.winchmaster.co.uk

A DIVISION OF
**BHW
GROUP
LIMITED**



CERT. No. 1769



		LAYER		
		1	2	3
Maximum Rated Line Pull by Layer*	kgf	2250	1860	1584
	kN	22.07	18.24	15.53
Cable Drum Capacity Cumulative by Layer (8mm dia. cable)	m	7	15	23

*By incorporating a snatch block in the line it is possible to double these capacities.

PERFORMANCE FIRST LAYER OF CABLE				
LINE PULL kgf	LINE SPEED (approx)		AMP DRAW (approx)	
	12v m/min	24v m/min	12v	24v
0	8	8	66	32
500	6	7	120	60
1000	4.5	5	170	85
1500	4	4.2	204	102
2000	3.2	3.5	240	120
2500	2.6	2.8	280	140

All figures are based on battery maintaining normal voltage.

SPECIFICATIONS

Rated Line Pull (single line): Maximum recommended working capacity 2,200kgf to comply with EN14492-1. Stall capacity 4300kg.

Gear Ratio: 216:1 for either 12v or 24v.

Motor: High torque series wound 12v (6hp) or 24v (4.7hp).

Switching: Heavy duty, double acting solenoids can be mounted adjacent to winch or on to the winch tie bars with straps provided.

Wanderlead Control: Commercial heavy duty type with operating buttons and emergency stop. 4.5m cable. Other lengths available on request.

Roller Guides: Heavy duty, 4 way commercial type with greaseways.

Wire Rope: 8mm diameter galvanised 1960N/mm² with 44.7kN minimum breaking strain. (Note: This is the maximum diameter wire rope that can be fitted to this winch).

Freespooling: Lever on gear housing to disengage clutch.

Complete Kit Weight: 40kg.

WARNING

These winches must not be used for the movement of personnel and 5 wraps of wire rope must be maintained on the drum. Installers are advised to carry out a risk assessment on the application and the load limiter must be calibrated following installation.

Data shown is approximate and intended as a guide only.

WARRANTY

Each new winch is guaranteed against defects in workmanship and material defects for a period of twelve months from date of purchase.

WIRE ROPES ARE NOT INCLUDED UNDER WARRANTY.