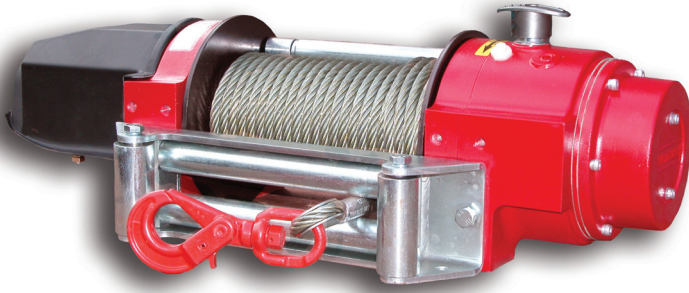


WinchMaster

SPECIALIST WINCH SOLUTIONS

SUPERWINCH E10P Heavy Duty Electric Planetary Recovery Winches



A SUPERWINCH DISTRIBUTOR WITH THE EMPHASIS ON TECHNICAL EXPERTISE

Professional operators want the best technical advice when selecting a winch. They need to be sure that the product they buy is the safest and most suitable for the job, providing complete reliability and minimal vehicle down time.

Winchmaster sales engineers provide valuable advice and guidance, plus a comprehensive winch installation service. They pride themselves in giving a comprehensive parts backup – with next day delivery throughout the UK.

A service that sets Winchmaster apart from other Superwinch dealers!

APPLICATIONS

Superwinch E10P – a rugged, heavy duty, high quality 4,540kg planetary drive electric winch, engineered to ensure reliability during recovery / winching operations.

Designed to provide Vehicle Operators with a dependable unit for various winching applications.

OPTIONS

- Cable tensioner
- Pneumatic freespool
- Electrical isolator switch
- FM•CONNECT remote control

FEATURES INCLUDE:

- **Winch**
Supplied fully assembled and ready to install
- **Gearbox**
High efficiency 4 stage planetary giving optimum reliability
- **Brake**
Integral, fail safe, automatically applied
- **Motor**
Rugged, high power unit of proven reliability, available in both 12 or 24 volts
- **Free spooling**
Spring engaged, manual released for rapid rope pay-out, pneumatic option available
- **Drum**
Heavy duty steel, mounted on maintenance-free plain bearings
- **Control contactors**
Solenoid operated, boxed pair with 3.5m heavy duty remote handset
- **Testing**
All winches are load tested before shipping
- **12 months warranty**
On parts and service (excluding wire rope)
- **Fitting service**
Full or partial fitting can be provided, including load testing and certification
- **After sales service**
Technical advice given on winch fitting and component replacement, plus efficient overnight parts despatch and fast repairs

WINCHMASTER Unit 6 South Orbital Trading Park Hedon Road Hull HU9 1NJ
T: +44 (0)1482 223663 F: +44 (0)1482 218285

CALL SALES ON 01482 223663
E: sales@winchmaster.co.uk W: www.winchmaster.co.uk

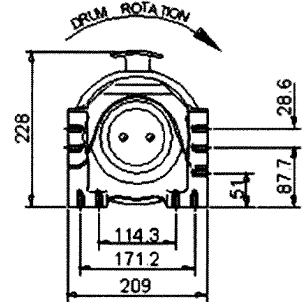
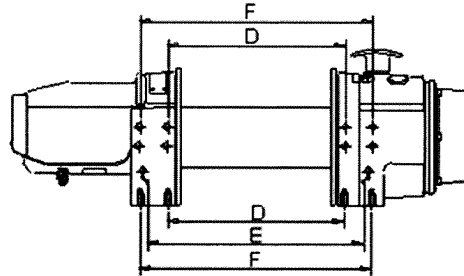
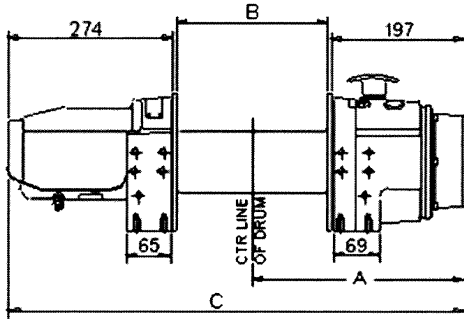
A DIVISION OF
BHW
GROUP
LIMITED



CERT. No. 1769

ALL FIXING HOLES:
M10 THREAD

Dimensions : mm						
Winch	A	B	C	D	E	F
E10P Drum 253	333	253	738	292	361.5	374
E10P Drum 190	300	190	675	229	298.5	311



SPECIFICATIONS

Long Drum

Short Drum

Rated Line Pull, bottom layer:	38.2kN, (3900kg)	
Line Speed, bottom layer, no load:	6.75m/min	
Wire Rope (ø x length):	10mm x 30m	10mm x 23m
Drum Diameter:	102mm	
Motor:	12v	1.4kW, (1.9hp)
	24v	1.6kW, (2.1hp)
Current Draw at rated line pull:	370amp, 12v / 180amp, 24v	
Weight (with mounting plate, roller guide and wire rope):	70kg	68kg

PERFORMANCE

12v

24v

Amp Draw	at 0kg	90amp	50amp
	at 2,270kg	220amp	110amp
	at 4,540kg	370amp	180amp
Line Pull	2nd Layer	37.0kN, (3,780kg)	
	3rd Layer	31.8kN, (3,240kg)	
	4th Layer	27.7kN, (2,830kg)	

NOTES

These winches must not be used for the movement of personnel and 7 wraps of wire rope must be maintained on the drum.

Data shown is approximate and intended as a guide only.

WARRANTY

Each new winch is guaranteed against defects in workmanship and material defects for a period of twelve months from date of purchase.

WIRE ROPES ARE NOT INCLUDED UNDER WARRANTY.