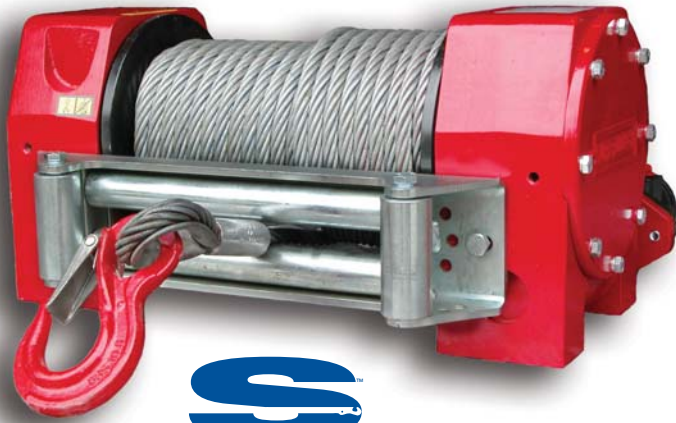


WinchMaster

SPECIALIST WINCH SOLUTIONS



SUPERWINCH H14W Heavy Duty Hydraulic Planetary Recovery Winch

FEATURES INCLUDE:

- **Gearbox**
Heavy duty, steel centred aluminium/bronze wormwheel and case hardened precision ground wormshaft for optimum reliability
- **Brake**
Irreversible wormgear for substantial, reliable braking action
- **Motor**
Rugged, high torque, low speed unit of proven reliability
- **Free Spooling**
Manual release for rapid rope pay-out
- **Drum**
Heavy duty steel, mounted on maintenance-free plain bearings
- **Testing**
All winches are load tested before shipping
- **12 months warranty**
On parts and service (excluding wire rope)
- **Fitting service**
Full or partial fitting can be provided, including load testing and certification
- **After sales service**
Technical advice given on winch fitting and component replacement, plus efficient overnight parts despatch and fast repairs

A SUPERWINCH DISTRIBUTOR WITH THE EMPHASIS ON TECHNICAL EXPERTISE

Professional operators want the best technical advice when selecting a winch. They need to be sure that the product they buy is the safest and most suitable for the job, providing complete reliability and minimal vehicle down time.

Winchmaster sales engineers provide valuable advice and guidance, plus a comprehensive winch installation service. They pride themselves in giving a comprehensive parts backup – with next day delivery throughout the UK.

A service that sets Winchmaster apart from other Superwinch dealers!

APPLICATIONS

The Superwinch H14W - from the UK's largest winch producer, a rugged, versatile, high quality 6,350kg worm & wormwheel drive hydraulic winch, engineered to ensure reliability during recovery and winching operations.

Designed to provide Professional Vehicle Operators with a dependable, heavy duty unit for a wide range of applications.

OPTIONS

- *Roller fairlead*
- *Cable tensioner*
- *Pneumatic freespool assembly*
- *Wire rope*
- *Mounting plate*

WINCHMASTER Unit 6 South Orbital Trading Park Hedon Road Hull HU9 1NJ

T: +44 (0)1482 223663 F: +44 (0)1482 218285

CALL SALES ON 01482 223663
E: sales@winchmaster.co.uk W: www.winchmaster.co.uk

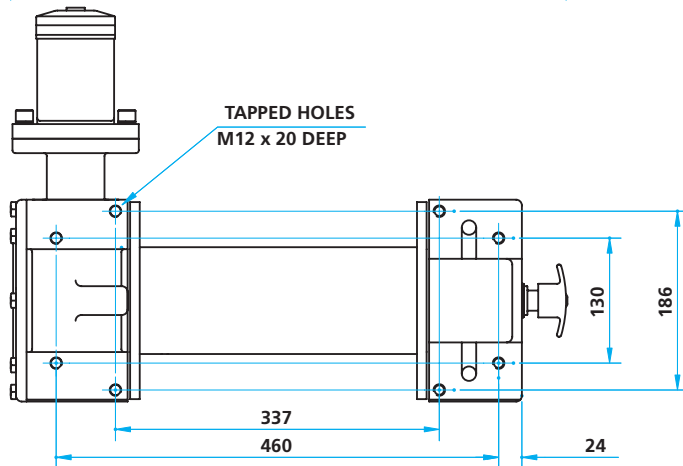
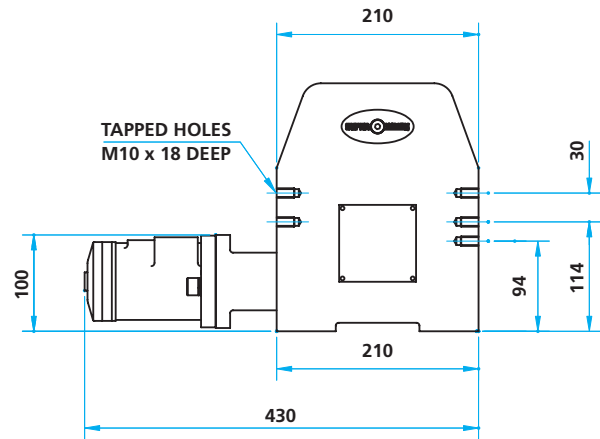
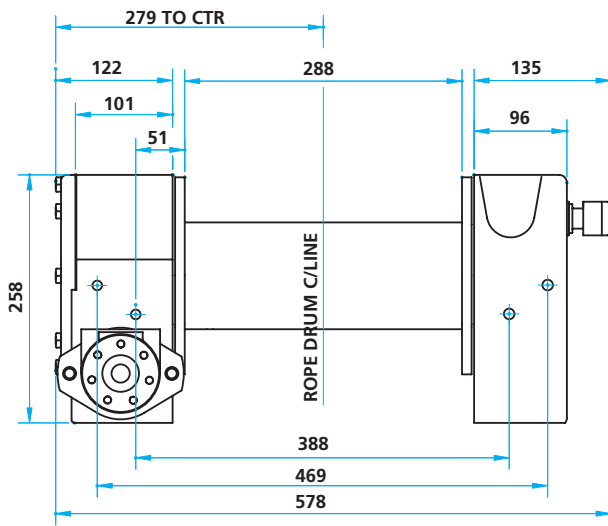
A DIVISION OF
BHW
GROUP
LIMITED

WINCHMASTER IS A DIVISION OF THE BHW GROUP LIMITED REGISTERED IN ENGLAND No. 1342461

WM06/01.09.07



CERT. No. 1769



SPECIFICATIONS

Rated Line Pull, Bottom Layer:	62.0kN, (6,350kg)
Line Speed, Bottom Layer, No Load:	3.1m/min
Wire Rope Diameter, Recommended:	12mm
Wire Rope Length, Recommended:	36m
Rope Drum Diameter:	90mm
Weight:	52kg

PERFORMANCE

Maximum Oil Pressure:	155 bar (2,250 psi)
Maximum Oil Flow:	57 l/min
Line Pull, 2nd Layer:	50.1kN, (5,110kg)
Line Pull, 3rd Layer:	42.0kN, (4,290kg)
Line Pull, 3rd Layer:	36.2kN, (3,690kg)

WARNING

These winches must not be used for the movement of personnel and 5 wraps of wire rope must be maintained on the drum.

WARRANTY

Each new winch is guaranteed against defects in workmanship and material defects for a period of twelve months from date of purchase.

WIRE ROPES ARE NOT INCLUDED UNDER WARRANTY.