

WinchMaster

SPECIALIST WINCH SOLUTIONS



SUPERWINCH H30P 13.6 Tonne Line Pull Heavy Duty Hydraulic Planetary Recovery Winch

FEATURES INCLUDE:

- **Winch**
Heavy duty robust construction
- **Gearbox**
Heavy duty, high efficiency 2 stage planetary giving optimum reliability
- **Brake**
Multi-disc type, spring applied, hydraulic release, full load holding
- **Motor**
Rugged, high torque, low speed unit of proven reliability
- **Free spooling**
Spring applied, pneumatic released for rapid rope pay-out
- **Drum**
Heavy duty cast drum, running on substantial roller bearings
- **Load control valve**
Fitted as standard to ensure complete load control
- **Testing**
All winches are load tested before shipping
- **12 months warranty**
On parts and service (excluding wire rope)
- **Fitting service**
Full or partial fitting can be provided, including load testing and certification
- **After sales service**
Technical advice given on winch fitting and component replacement, plus efficient overnight parts despatch and fast repairs

A SUPERWINCH DISTRIBUTOR WITH THE EMPHASIS ON TECHNICAL EXPERTISE

Professional operators want the best technical advice when selecting a winch. They need to be sure that the product they buy is the safest and most suitable for the job, providing complete reliability and minimal vehicle down time.

Winchmaster sales engineers provide valuable advice and guidance, plus a comprehensive winch installation service. They pride themselves in giving a comprehensive parts backup – with next day delivery throughout the UK.

A service that sets Winchmaster apart from other Superwinch dealers!

APPLICATIONS

Superwinch H30P – a rugged, heavy duty, high quality 13,610kg planetary drive hydraulic winches, engineered to ensure reliability during recovery and winching operations.

Designed to provide Professional Vehicle Operators with a dependable, heavy duty unit for use on underlifts and other heavy duty applications.

OPTIONS

- Cable tensioner
- Wire rope

WINCHMASTER Unit 6 South Orbital Trading Park Hedon Road Hull HU9 1NJ
T: +44 (0)1482 223663 F: +44 (0)1482 218285

CALL SALES ON 01482 223663
E: sales@winchmaster.co.uk W: www.winchmaster.co.uk

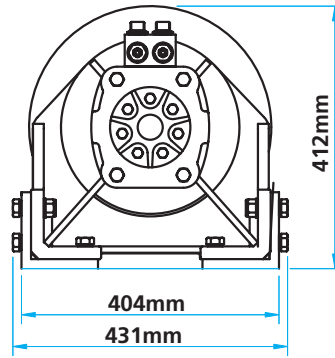
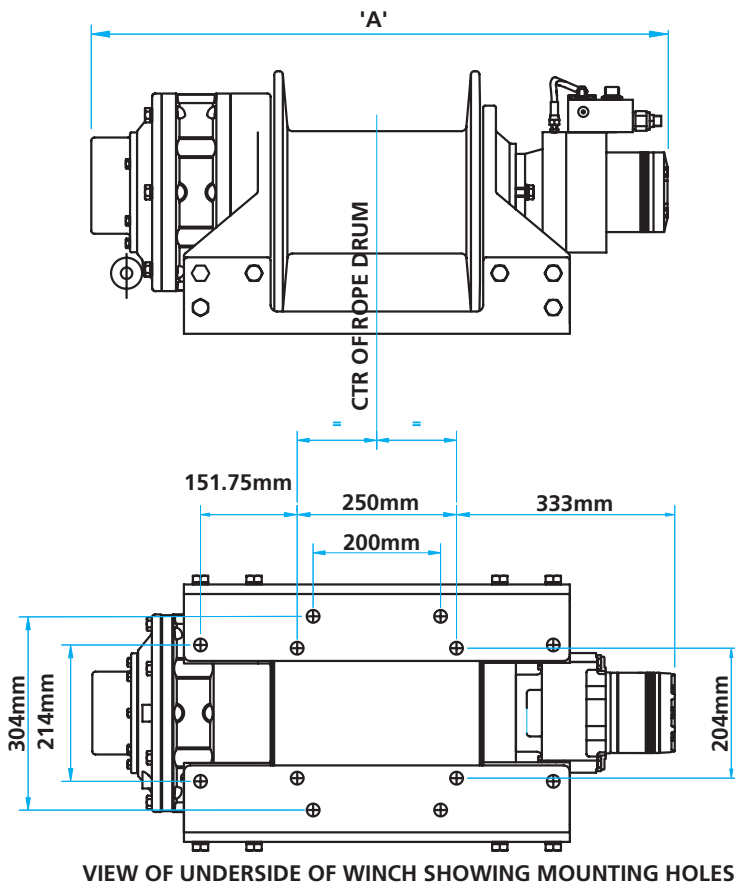
A DIVISION OF
BHW
GROUP
LIMITED

WINCHMASTER IS A DIVISION OF THE BHW GROUP LIMITED REGISTERED IN ENGLAND No. 1342461

WM09/01.09.07



CERT. No. 1769



DIMENSIONS 'A'		
FREESPOOL TYPE		
NONE	MANUAL	PNEUMATIC
873.0	933.0	898.0

ALL FIXING BOLTS: M16
8.8 GRADE OR HIGHER.

SPECIFICATIONS

Rated Line Pull, Bottom Layer:	133.4kn, (13,610)
Line Speed, Bottom Layer, No Load:	7.6m/min
Wire Rope Diameter, Recommended:	20mm
Rope Length, Maximum:	30m
Drum Diameter:	195mm
Weight:	198kg

PERFORMANCE

Maximum Oil Pressure:	200 bar (2,940psi)
Maximum Oil Flow:	75 l/min
Line Pull, 2nd Layer:	112.6kn, (11,490kg)
Line Pull, 3rd Layer:	97.4kn, (9,930kg)
Line Pull, 3rd Layer:	85.7kn, (8,750kg)

WARNING

These winches must not be used for the movement of personnel and 5 wraps of wire rope must be maintained on the drum.

WARRANTY

Each new winch is guaranteed against defects in workmanship and material defects for a period of twelve months from date of purchase.

WIRE ROPES ARE NOT INCLUDED UNDER WARRANTY.