

# WinchMaster

SPECIALIST WINCH SOLUTIONS



## SUPERWINCH S SERIES

**S3000 (1361kg), S4000 (1814kg)**

**S5000 (2268kg)**

12v DC Electric Utility Winches  
for General Purpose Light Duty

### A SUPERWINCH DISTRIBUTOR WITH THE EMPHASIS ON TECHNICAL EXPERTISE

Professional operators want the best technical advice when selecting a winch. They need to be sure that the product they buy is the safest and most suitable for the job, providing complete reliability and minimal vehicle down time.

Winchmaster sales engineers provide valuable advice and guidance, plus a comprehensive winch installation service. They pride themselves in giving a comprehensive parts backup – with next day delivery throughout the UK.

**A service that sets Winchmaster apart from other Superwinch dealers!**

### APPLICATIONS

General light duty use.

### OPTIONS

- Winch cover
- Accessory kit
- Pulley block
- Mounting system

### FEATURES INCLUDE

- Powers load *IN and OUT*
- Mechanical and dynamic brake
- Full metal gear-train
- Freespooling clutch for fast wire rope payout
- High efficiency low amp draw motor
- Integrally mounted contactors
- Circuit breaker protected
- Durable handheld remote switch on a 9m lead
- Up to 18.2m galvanized high tensile wire rope, with thimble end and latched hook (S5000 15.2m)
- Cable tension plate helps prevent tangled wire rope
- Fully enclosed weather resistant housing
- Transparent hinged wire rope guard
- Hook handling strap
- Roller fairlead
- 12 months warranty  
*On parts and service (excluding wire rope)*
- Fitting service  
*Full or partial fitting can be provided, including load testing and certification*
- After sales service  
*Technical advice given on winch fitting and component replacement, plus efficient overnight parts despatch and fast repairs*

**WINCHMASTER** Unit 6 South Orbital Trading Park Hedon Road Hull HU9 1NJ

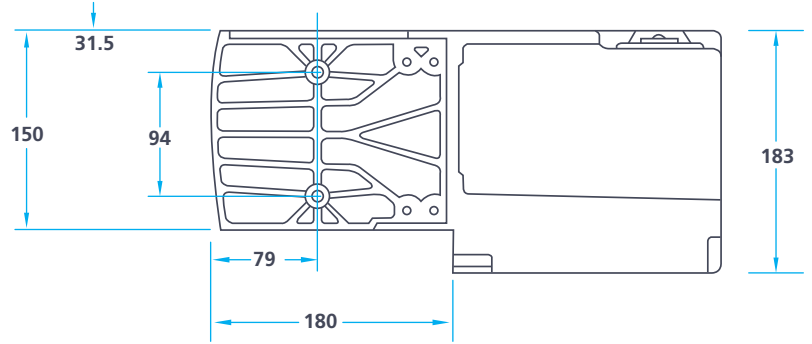
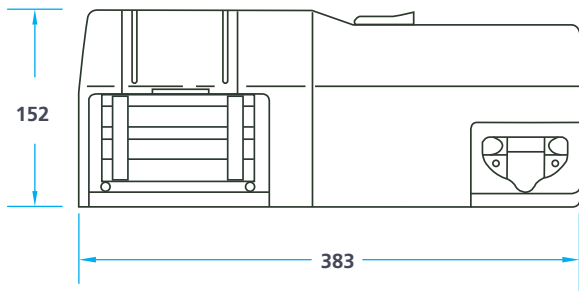
T: +44 (0)1482 223663 F: +44 (0)1482 218285

**CALL SALES ON 01482 223663**  
E: [sales@winchmaster.co.uk](mailto:sales@winchmaster.co.uk) W: [www.winchmaster.co.uk](http://www.winchmaster.co.uk)

A DIVISION OF  
**BHW**  
GROUP  
LIMITED



CERT. No. 1769



PERFORMANCE FIRST LAYER OF CABLE							
LINE PULL		LINE SPEED m/min			AMP DRAW		
kg	kN	S3000	S4000	S5000	S3000	S4000	S5000
0		8.4	9.7	9.4	15	30	36
454	4.0	3.8	4.8	4.6	70	90	80
907	8.9	2.7	3.8	3.4	117	155	135
1134	11.1	2.3	3.2	3.2	155	180	–
<b>1361</b>	<b>13.3</b>	<b>1.4</b>	<b>2.7</b>	<b>2.4</b>	<b>220</b>	<b>215</b>	<b>200</b>
1589	15.6	–	1.5	2.2	–	250	–
1814	17.8	–	1.4	1.4	–	311	265
2268	22.2	–	–	1.3	–	–	350

All figures are based on battery maintaining normal voltage.

## SPECIFICATIONS

### S3000

### S4000

### S5000

Rated Line Pull (single line):	1361kg / 13.3kN	1814kg / 17.8kN	2268kg / 22.2kN
Motor (series wound):	1.3hp	1.8hp	2.1hp
Gearing: Type Ratio	Differential planetary 159:1		
Clutch:	Freespooling lever action		
Braking Action:	Mechanical and dynamic		
Wire Rope: $\varnothing$ x length	4.8mm x 18.2m	5.6mm x 18.2m	6.4mm x 15.2m
Drum: Diameter Length	41.3mm 76.2mm		
Weight:	17.3kg	18.2kg	19.1g

## NOTES

These winches must not be used for the movement of personnel and 7 wraps of wire rope must be maintained on the drum.

Data shown is approximate and intended as a guide only.

## WARRANTY

Each new winch is guaranteed against defects in workmanship and material defects for a period of twelve months from date of purchase.

**WIRE ROPES ARE NOT INCLUDED UNDER WARRANTY.**