

WinchMaster

SPECIALIST WINCH SOLUTIONS



SUPERWINCH EP SERIES

EP6/ EPI6 (2722kg)

EP9/ EPI9 (4082kg)

12v or 24v DC Electric Planetary Winches
for Self Recovery and Light Duty

FEATURES INCLUDE

- Powers load **IN** and **OUT**
- Automatic load-holding brake
- Quiet, efficient, full metal 3-stage planetary gear box
- Freespooling clutch for fast wire rope payout
- Efficient 3.4kW series wound motor (2.7kW EP/EPI6.0)
- 12v or 24v options
- Heavy duty sealed contactors
- Available with integrated (EPI) or remote mountable (EP) contactors
- Durable handheld remote switch (4.5m)
- 30m galvanized high tensile wire rope with thimble end and latched hook
- Pulley block increases pulling efficiency
- Heavy duty roller fairlead
- Hook handling strap
- Fully pre-wired - connect to power and you're ready to winch!
- Engineered to meet the requirements of the European Community Marketplace
- 12 months warranty
On parts and service (excluding wire rope)
- Fitting service
Full or partial fitting can be provided, including load testing and certification
- After sales service
Technical advice given on winch fitting and component replacement, plus efficient overnight parts despatch and fast repairs

A SUPERWINCH DISTRIBUTOR WITH THE EMPHASIS ON TECHNICAL EXPERTISE

Professional operators want the best technical advice when selecting a winch. They need to be sure that the product they buy is the safest and most suitable for the job, providing complete reliability and minimal vehicle down time.

Winchmaster sales engineers provide valuable advice and guidance, plus a comprehensive winch installation service. They pride themselves in giving a comprehensive parts backup – with next day delivery throughout the UK.

A service that sets Winchmaster apart from other Superwinch dealers!

APPLICATIONS

4x4 recreational vehicles and light recovery vehicles.

OPTIONS

- Wire harness kit
- FM•CONNECT remote control

WINCHMASTER Unit 6 South Orbital Trading Park Hedon Road Hull HU9 1NJ

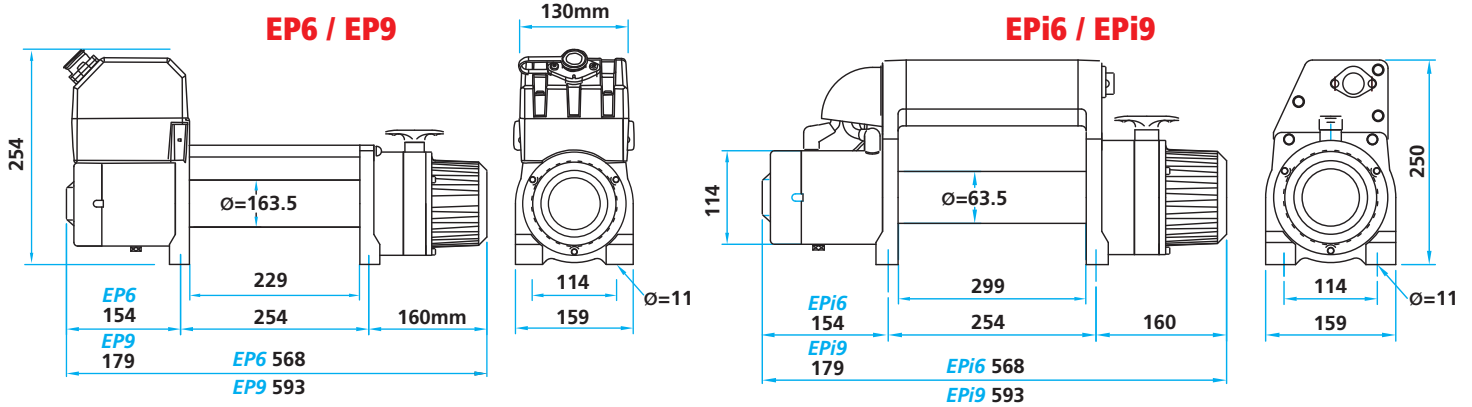
T: +44 (0)1482 223663 F: +44 (0)1482 218285

CALL SALES ON 01482 223663
E: sales@winchmaster.co.uk W: www.winchmaster.co.uk

A DIVISION OF
BHW
GROUP
LIMITED



CERT. No. 1769



MAXIMUM PULLING CAPACITY				
WIRE ROPE LAYER	EP6 / EPi6		EP9 / EPi9	
	kg	kN	kg	kN
1	2722	22.3	4082	40
2	2477	24.3	3715	36.4
3	2268	22.2	3402	33.4
4	2118	21	3180	31.2
5			2980	29.2

PERFORMANCE FIRST LAYER OF CABLE						
LINE PULL kg kN	LINE SPEED m/min		AMP DRAW			
	EP6 / EPi6	EP9 / EPi9	EP6 / EPi6 12v 24v	EP9 / EPi9 12v 24v	EP9 / EPi9 12v 24v	EP9 / EPi9 12v 24v
0	14.6	13.47	60 24	55 30		
907 8.9	7	4.6	170 102	110 65		
1814 17.8	4	3.4	320 210	200 100		
2722 26.7	3.1	2.7	400 264	230 130		
3629 35.6	-	2.3	-	260 170		
4082 40	-	2	-	350 210		

All figures are based on battery maintaining normal voltage.

SPECIFICATIONS

EP6

EPi6

EP9

EPi9

Rated Line Pull (single line):	2722kg / 26.7kN		4082kg / 40kN	
Motor (series wound): 12v 24v	3.6hp (2.7kW) 2.0hp (1.5kW)		4.6hp (3.4kW) 2.6hp (1.9kW)	
Gearing: Type Ratio:	3 stage planetary 156:1			
Clutch:	Freespooling lift and turn			
Braking Action:	Automatic 100% load holding			
Winch Dimensions (mm):	568 x 159 x 254	568 x 159 x 250	593 x 159 x 254	593 x 159 x 250
Wire Rope: \varnothing x length	8.3mm x 30.5m			
Drum: Diameter Length	64mm 229mm			
Weight:	47.3kg		49.1kg	

NOTES

These winches must not be used for the movement of personnel and 7 wraps of wire rope must be maintained on the drum.

Data shown is approximate and intended as a guide only.

WARRANTY

Each new winch is guaranteed against defects in workmanship and material defects for a period of twelve months from date of purchase.

WIRE ROPES ARE NOT INCLUDED UNDER WARRANTY.