

WinchMaster

SPECIALIST WINCH SOLUTIONS

COMPLIANT WITH EN 14492 REGULATIONS

CP SERIES LIFTING WINCHES 250-500kg

CP250 (250kg), CP300 (300kg)
CP500 (500kg), CP500T (500kg)

110v or 240v x 1ph / 415v x 3ph AC

FEATURES INCLUDE:

- **Single or 3 phase options**
CP250 = 110v & 240v x 1ph
CP300 = 240v x 1ph
CP500 = 240v x 1ph
CP500T = 415v x 3ph (Includes low voltage control)
- **Electromagnetic, spring applied, failsafe brake**
Provides instant, safe braking
- **Bi-rotational**
CP winches can be installed with wire rope coming off the top or bottom of the drum
- **Enclosed drum flange**
Prevents rope becoming trapped between drum and support casing
- **Complete with wire rope**
Galvanised for longer life
- **Compact design**
For easy installation
- **Quiet running**
- **360° weighted safety hook**
Swivel type with safety catch
- **3 metre pendant control**
Pre-wired to the winch with 2 buttons and emergency stop
- **2 metre power lead**
Pre-wired to the winch with commercial type plug
- **Motor to IP44 as standard**

ADDITIONAL EQUIPMENT FROM WINCHMASTER

- **Low voltage control (Supplied as standard on 3ph)**
- **Radio remote control - via low voltage control**
- **Weather proof enclosure**

TO ESTABLISH WHICH WINCH OR HOIST IS SUITABLE FOR YOUR PROJECT, CALL WINCHMASTER NOW ON 01482 223663



NEW EUROPEAN STANDARDS & WINCHMASTER

New Harmonised European Standards: EN14492-1 for power driven winches, EN14492-2 for power driven hoists provide the means for conformity to essential Health and Safety requirements of the EC Machinery Directive.

Conformity to these standards is the joint responsibility of the supplier, the installer and the company operating the product.

CE Winchmaster products are fully compliant and carry a CE mark. A Declaration of Conformity is also supplied with each winch or hoist.

Selecting the correct winch or hoist for the application is very important not only from the health and safety aspect, but also to maximise product life and value for money.

Our aim at Winchmaster is to ensure the correct machine is supplied to suit the application and we welcome the opportunity of discussing the proposed application and offer advice. It will help us considerably if information regarding the maximum and average loads to be lifted or pulled - and approximate frequency of use can be provided.

For hoisting applications the minimum breaking force (MBF**) of the wire rope must be 5 x the lifting capacity of the hoist. The ratio of wire rope diameter to mean drum diameter* is usually at least 15:1. This will vary according to the application, the average operating time per day and the average and maximum weights being lifted.

For pulling applications (for example, in factories) as a general rule requires a wire rope with a MBF** relative to winch capacity of 3:1 and a rope to mean drum ratio* of 12:1.

For recovery vehicles the permissible standard of wire rope MBF** to winch rating can be a minimum 2:1 and the ratio of wire rope to mean drum ratio* only 10:1. This minimum standard is permitted because the running time is so short and the winch rarely sees maximum load.

Wire rope capacities the maximum amount of wire rope on the drum must leave a freeboard to the top of the drum flange of 1.5 x wire rope diameter to prevent the wire rope coming off the drum.

Winches and hoists with capacities over 1000kg must be load limited.

* Mean drum diameter = the drum diameter plus the diameter of the wire rope.

** MBF = the Minimum Breaking Force of the wire rope.

WINCHMASTER Unit 6 South Orbital Trading Park Hedon Road Hull HU9 1NJ

T: +44 (0)1482 223663 F: +44 (0)1482 218285

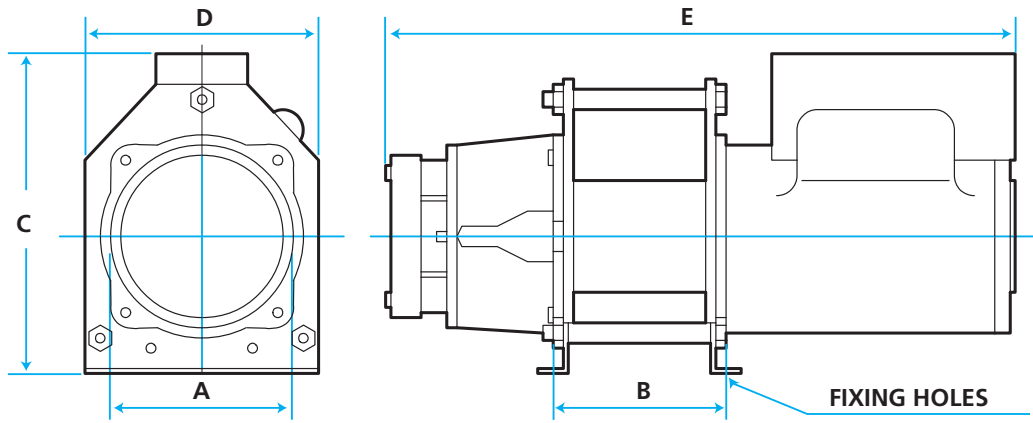
CALL SALES ON 01482 223663

E: sales@winchmaster.co.uk W: www.winchmaster.co.uk

A DIVISION OF
BHW
GROUP
LIMITED



CERT. No. 1769



WINCH DIMENSIONS mm						
MODEL	A	B	C	D	E	Fixing holes
CP250	142	142	241	210	548	4 off Ø 10.5
CP300	142	142	241	210	576	4 off Ø 10.5
CP500	156	267	299	260	694	4 off Ø 13.5

SPECIFICATIONS

CP250

CP300

CP500

CP500T

Voltage options:	110v 1ph	240v 1ph	240v 1ph	240v 1ph	415v 3ph
Lifting: Capacity	250kg		300kg	500kg	500kg
Height of lift	28m		28m	42m	42m
Weight: Winch only	34kg		38kg	55kg	54kg
Total kit average	36kg		40kg	57kg	56kg
Line speed: 1st layer	10m/min		10m/min	10m/min	11.6m/min
Last layer	15m/min		15m/min	15m/min	18.3m/min
Duty cycle:	1ph have a duty cycle of 25%, with a maximum of 60 starts per hour				
Wire rope: ø x length	5mm x 30m		5mm x 30m	7mm x 45m	7mm x 45m
Factor of safety	Minimum factor of safety 5:1				
Motor type:	Induction motor				
Outputs: Kilowatts	0.75kw		1.15kw	1.8kw	1.58kw
Amperes	10amp	5amp	7.6amp	12.8amp	4amp
Braking:	Electromagnetic spring applied failsafe				
Drum: Length:	110mm		110mm	220mm	220mm
Diameter	94mm		94mm	102mm	102mm
Flange Diameter	154mm		154mm	180mm	180mm
Rope ø to mean drum ø ratio:	20:1		20:1	18:1	18:1

NOTES

These winches must not be used for the movement of personnel and 7 wraps of wire rope must be maintained on the drum.

Data shown is approximate and intended as a guide only.

WARRANTY

Each new winch is guaranteed against defects in workmanship and material defects for a period of twelve months from date of purchase.

WIRE ROPES ARE NOT INCLUDED UNDER WARRANTY.

WINCHMASTER Unit 6 South Orbital Trading Park Hedon Road Hull HU9 1NJ

T: +44 (0)1482 223663 F: +44 (0)1482 218285

CALL SALES ON 01482 223663

E: sales@winchmaster.co.uk W: www.winchmaster.co.uk

A DIVISION OF
BHW
GROUP
LIMITED

WINCHMASTER IS A DIVISION OF THE BHW GROUP LIMITED REGISTERED IN ENGLAND No. 1342461

WM15/04.03.09



CERT. No. 1769